

Bridge handles

Technopolymer

MATERIAL

Glass-fibre reinforced polyamide based (PA) technopolymer, grey-black colour, matte finish.

COVER

- ECA.M: polyamide-based (PA) technopolymer in Elecolors colours, matte finish.

Supplied, press-fit assembly, removable by a screwdriver. Also available with accessory sold separately (see table ECA.M).

STANDARD EXECUTION

Pass-through holes for front or rear mounting via cylindrical-head screws with hexagon socket, hexagonal-head screws or nuts, which can be bought.

TECHNICAL DATA

Tensile stress and impact strength: the values F1, F2, L1 and L2 indicated in the table were obtained during breaking tests carried out with the appropriate dynamometric equipment under the test conditions shown in the figure with ambient temperature.

ASSEMBLY INSTRUCTIONS

After having fixed the handle, insert the guides into the special grooves in the handle by forcing elastically all the way until fitting is complete.

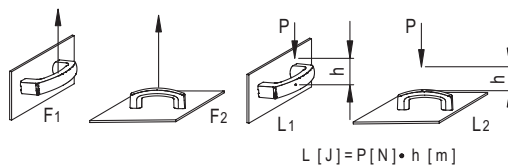
Exert a final pressure on the central part in order to fully release the fixing of the cover.

ACCESSORY ON REQUEST

ECA.M: cover in Elecolors colours chromatic range (see table).



ERGOSTYLE® ELESA Original design

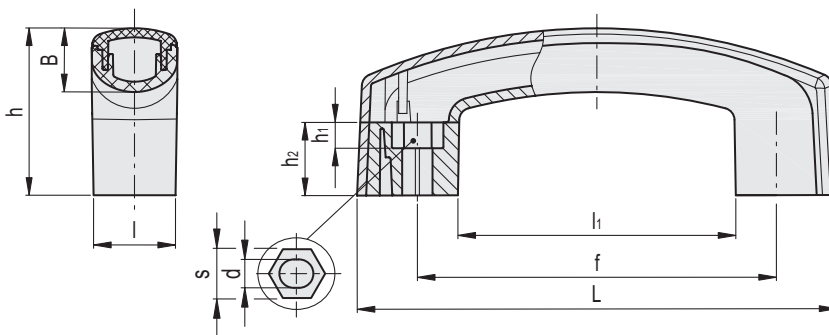
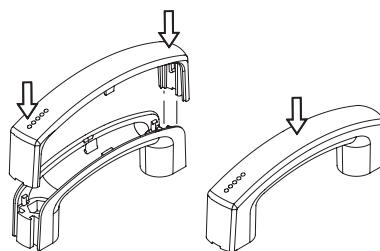


C1	C2	C3	C4	C5	C6	C17
RAL7021	RAL2004	RAL7035	RAL1021	RAL5024	RAL3000	RAL6017

ECA.M

Code	Description	Caps for
29841-*	ECA.M-*	EMPC.

* Complete with colour index (C1, ..., C17).



* Complete with colour index, example: 260710-C2 EMPC.156-6-C2

C1	C2	C3	C4	C5	C6	C17
RAL7021	RAL2004	RAL7035	RAL1021	RAL5024	RAL3000	RAL6017

Code	Description	L	l	f ₁	d	s	h	h ₁	h ₂	B	l ₁	F1 [N]	F2 [N]	L1 [J]	L2 [J]	⚖️
260710-*	EMPC.160-6-*	159.5	28	117±120	6.5	10	54.5	6.5	24	21	93	3000	2500	20	30	82
260711-*	EMPC.160-8-*	159.5	28	117±120	8.5	13	54.5	8.5	24	21	93	3000	2500	20	30	82